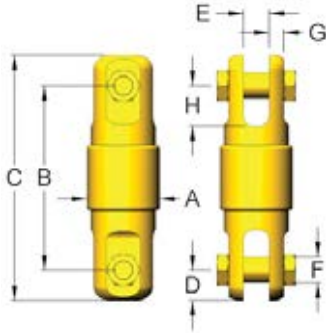


SWIVELS- ECONO-LINK, THRUST BEARING SWIVELER

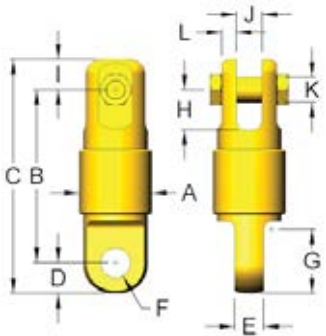
CLEVIS TO CLEVIS - TYPE 181



WLL* Tons	Model Number	Rope Size	A	B	C	D	E	F	G	H	Weight Lbs.
3	3E181	1/2	2.63	6.31	8.69	1.19	1	.75	0.5	1.38	6
6	6E181	5/8	3.25	7.81	10.81	1.5	1.13	1	0.75	1.75	14
10	10E181	3/4	3.75	9.31	12.56	1.63	1.38	1.25	0.75	2.13	21
15	15E181	1	4.13	11.06	14.81	1.88	1.75	1.38	0.88	2.5	31

* Design factor 4:1

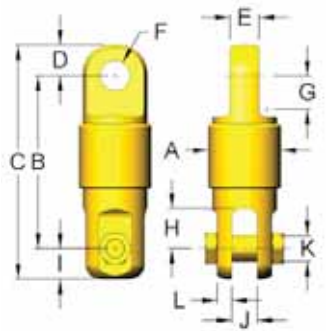
CLEVIS TO EYE - TYPE 182



WLL* Tons	Model Number	Rope Size	A	B	C	D	E	F	G	H	I	J	K	L	Weight Lbs.
3	3E182	1/2	2.63	5.94	8.25	1.13	1	1.06	1.13	1.38	1.19	1	.75	0.5	5
6	6E182	5/8	3.25	7.25	10.25	1.5	1.19	1.41	1.38	1.75	1.5	1.13	1	0.75	13
10	10E182	3/4	3.75	9.31	12.56	1.63	1.44	1.66	2.38	2.13	1.63	1.38	1.25	0.75	20
15	15E182	1	4.13	11.06	14.81	1.88	1.94	2.06	2.63	2.5	1.88	1.88	1.375	0.88	30

* Design factor 4:1

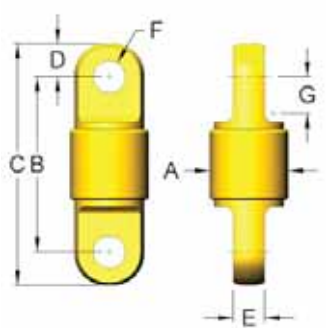
EYE TO CLEVIS - TYPE 281



WLL* Tons	Model Number	Rope Size	A	B	C	D	E	F	G	H	I	J	K	L	Weight Lbs.
3	3E281	1/2	2.63	5.94	8.25	1.13	1	1.06	1.13	1.38	1.19	1	.75	0.5	5
6	6E281	5/8	3.25	7.25	10.25	1.5	1.19	1.41	1.38	1.75	1.5	1.13	1	0.75	13
10	10E281	3/4	3.75	9.31	12.56	1.63	1.44	1.66	2.38	2.13	1.63	1.38	1.25	0.75	20
15	15E281	1	4.13	11.06	14.81	1.88	1.94	2.06	2.63	2.5	1.88	1.75	1.375	0.88	30

* Design factor 4:1

EYE TO EYE - TYPE 282



WLL* Tons	Model Number	Rope Size	A	B	C	D	E	F	G	Weight Lbs.
3	3E282	1/2	2.63	5.5	7.75	1.13	1	1.06	1.13	5
6	6E282	5/8	3.25	6.94	9.94	1.5	1.19	1.41	1.38	12
10	10E282	3/4	3.75	9.81	12.94	1.63	1.44	1.66	2.38	21
15	15E282	1	4.13	11.94	15.06	1.88	1.94	2.06	2.63	31

* Design factor 4:1