

SWIVELS- PENGOMILLER, FOR LINE STRINGING



- The original PENGOMILLER tension line stringing swivels and 90° connectors.
- Designed specifically for horizontal pulling of tension lines and passage over sheaves, overhead or through conduit.
- Swivels have Working Loads up to 100,000 lbs. with a 3:1 design factor.
- Equipped with low friction angular contact ball bearings.
- Machined, heat treated from solid forged alloy steel bar. Single-piece shank.
- Zinc plating inside and out for effective protection against corrosion.
- Hex socket pins are standard. Optional slotted pins available for sizes A thru D.
- Factory lubricated and sealed with neoprene seals.
- 90° Connectors permit limited movement of connected cables in two perpendicular planes. Short, bullet shape accommodates passage through blocks. Mean Breaking Load up to 150,000 lbs.
- Order spare pins by type (hex or slotted), and by model number of the swivel or connector. For example, "two hex pins for A-13-L" or "two slotted pins for B-13-L-SL".



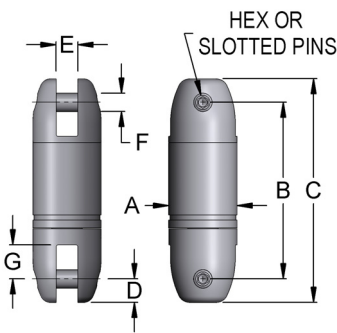
NEW

PROOF LOAD TESTED

All swivel models A-13-L, BB-13-L and B-13-L are individually proof load tested to 120% of their working load limit as indicated by a green proof test marking. Test certificates available. Other sizes tested upon request.

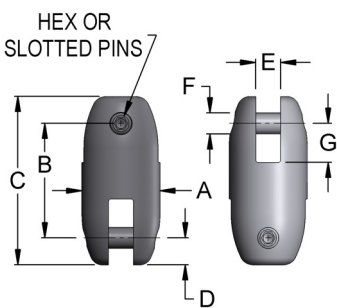
Safety Note: These swivels are designed for straight line pulling and will not support side loads as would be encountered traveling over a bull wheel. Miller line stringing swivels are not intended for general lifting applications. Swivel selection should be based on pulling line diameter, grip size, opening dimensions, pin sizes, working load, and sheave groove diameter. For general lifting applications, see Miller Y-Link and Miller Econo-Link Swivels.

LINE STRINGING SWIVELS



Model # Hex Pin	Model # Slotted Pin	WLL* Lbs.	A	B	C	D	E	F	G	Weight Lbs.
A13L	A13L-SL	1,800	.875	2.34	3.09	0.375	0.31	.31	0.47	0.38
BB13L	BB13L-SL	4,000	1.25	3.66	4.51	0.44	0.59	.38	0.69	1
B13L	B13L-SL	7,500	1.44	4	5.13	0.56	0.59	.44	0.81	1.38
C13L	C13L-SL	10,000	1.875	5.44	7.06	0.81	0.75	.62	0.94	3.63
D13L	D13L-SL	16,000	2.44	7.88	10.19	1.125	1	.88	1.56	8
EE13L	N/A	25,000	2.875	9.81	12.31	1.25	1.28	1	2.13	15
D13-4BL	N/A	30,000	2.5	8.91	11.16	1.125	1	.88	1.56	9
GG13L	N/A	50,000	3.875	13.25	16.75	1.75	1.75	1.5	3.5	40
HH13L	N/A	100,000	4.875	15.81	20.56	2.375	2	2	3.69	78

90° CONNECTORS



Model # Hex Pin	Model # Slotted Pin	MBL Lbs.	ROPE	A	B	C	D	E	F	G	Weight Lbs.
PL 1/4	PL 1/4-SL	5,400	1/4	.88	1.31	2.06	.38	0.31	.31	0.47	0.19
PL 3/8	PL 3/8-SL	12,000	3/8	1.25	1.75	2.63	.44	0.59	.38	0.69	0.38
PL 1/2	PL 1/2-SL	22,500	1/2	1.44	2.13	3.25	.56	0.59	.44	0.81	0.69
PL 5/8	PL 5/8-SL	30,000	5/8	1.88	2.5	4.13	.81	0.75	.62	0.94	1.69
PL 3/4	PL 3/4-SL	60,000	3/4	2.44	3.38	5.63	1.13	1	.88	1.31	3.75
PL 7/8	N/A	75,000	7/8	2.63	3.88	6.38	1.25	1	1	1.5	6.5
PL 1	N/A	150,000	1	3.88	8	11.5	1.75	1.75	1.5	3.5	18.5